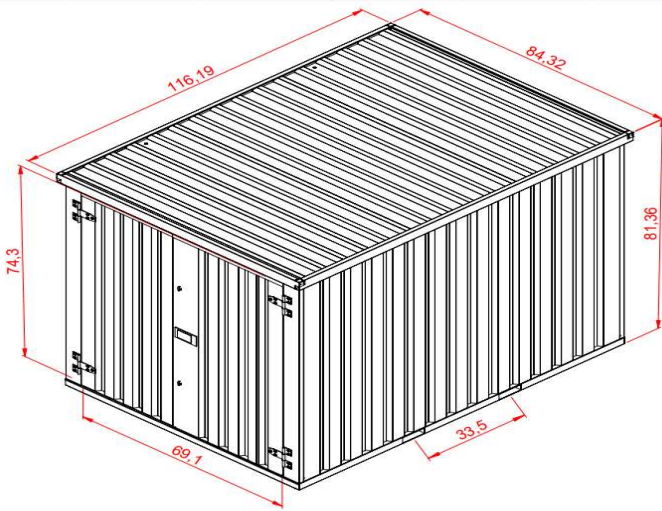
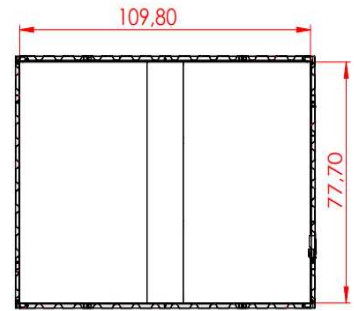
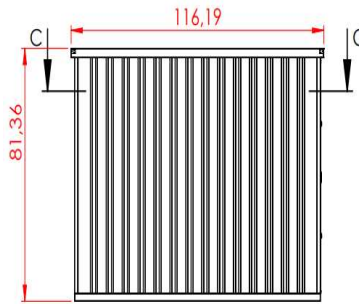
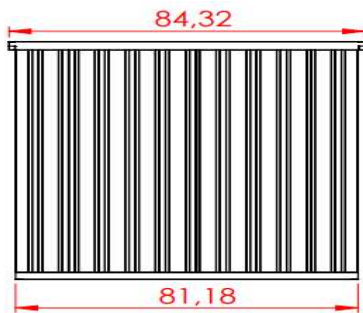


3M DOUBLE DOOR STORAGE CONTAINER



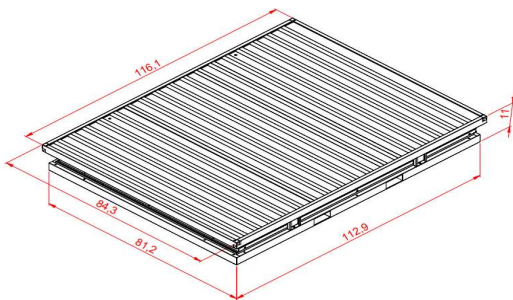
PRODUCT SPECIFICATIONS	
EXTERIOR LENGTH(in)	116.19
EXTERIOR WIDTH(in)	84.32
EXTERIOR HEIGHT(in)	81.36
INTERIOR LENGTH(in)	109.8
INTERIOR WIDTH(in)	77.7
INTERIOR HEIGHT(in)	76.4
HEIGHT(in)	74.3
WIDTH(in)	69.1
FORK POCKET HEIGHT(in)	7.7
FORK POCKET WIDTH(in)	2.1
FLOOR HEIGHT(in)	3.06
FLOOR TYPE(in)	OSB-3
SQUARE FOOT(ft ²)	59.25
CUBIC FOOT(ft ³)	377.2
CAPACITIES	
SNOW LOAD(lbs/ft ²)	36.86
WIND LOAD(lbs/ft ²)	35.92
FLOOR CAPACITY(lbs/sqft)	51.204



AVAILABLE COLOUR OPTIONS



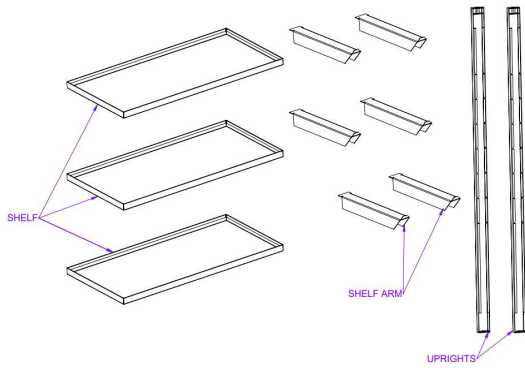
PACKAGE DETAIL



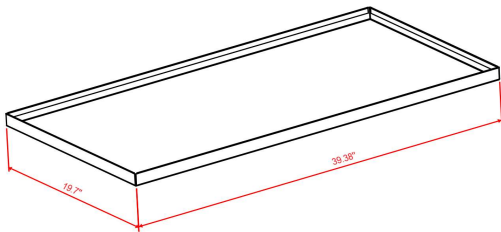
FLAT PACK DIMENSIONS	
LENGTH(in)	116.1
WIDTH(in)	84.3
HEIGHT(in)	11
WEIGHT(lbs)	881.85
STACK SPECIFICATIONS	
TRANSPORTATION	40 FT HC
STACK QUANTITY	9
LENGTH(in)	116.1
WIDTH(in)	84.3
HEIGHT(in)	102
WEIGHT(lbs)	8365

AVAILABLE ACCESSORIES

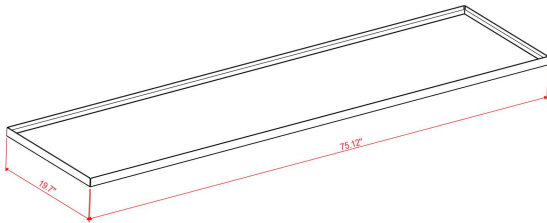
SHELVING SYSTEM



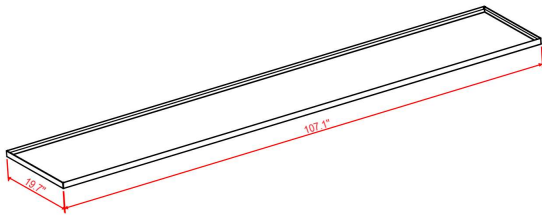
SHELVING KIT COMPONENTS	
SHELF(pcs)	3
SHELF ARM(pcs)	6
UPRIGHTS(pcs)	2



3' SHELF	
Lenght(in)	39.38
Width(in)	19.7
Height(in)	1.38

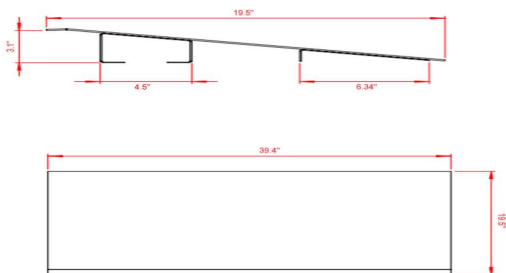


7' SHELF	
Lenght(in)	75.12
Width(in)	19.7
Height(in)	1.38



10' SHELF	
Lenght(in)	107.1
Width(in)	19.7
Height(in)	1.38

RAMP



RAMP SPECIFICATIONS	
Lenght(in)	39.4
Width(in)	19.5
Weight(lbs)	44.1
Angle	9°