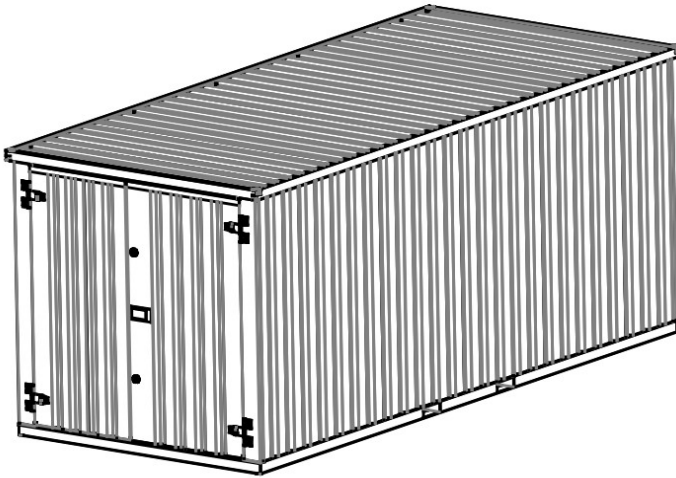
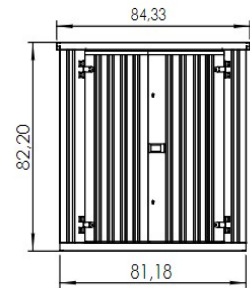
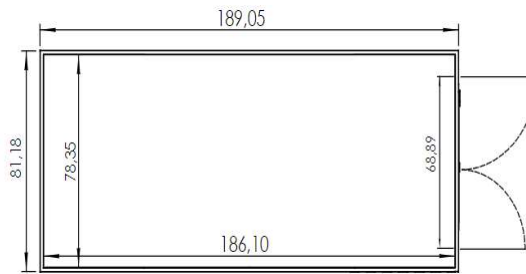
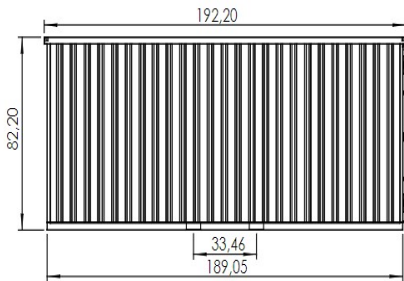


## 5M DOUBLE DOOR STORAGE CONTAINER



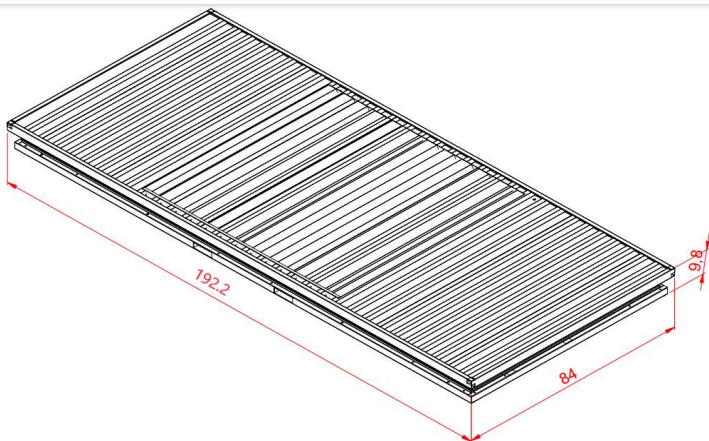
PRODUCT SPECIFICATIONS	
EXTERIOR LENGTH(in)	192.2
EXTERIOR WIDTH(in)	84.33
EXTERIOR HEIGHT(in)	82.2
INTERIOR LENGTH(in)	189.05
INTERIOR WIDTH(in)	78.35
INTERIOR HEIGHT(in)	76.4
HEIGHT(in)	74.3
WIDTH(in)	69.1
FORK POCKET HEIGHT(in)	7.7
FORK POCKET WIDTH(in)	2.1
FLOOR HEIGHT(in)	3.06
FLOOR TYPE(in)	OSB-3
SQUARE FOOT(ft <sup>2</sup> )	102.86
CUBIC FOOT(ft <sup>3</sup> )	654.89
CAPACITIES	
SNOW LOAD(lbs/ft <sup>2</sup> )	3686
WIND LOAD(lbs/ft <sup>2</sup> )	3592
FLOOR CAPACITY(lbs/sqft)	51204



### AVAILABLE COLOUR OPTIONS



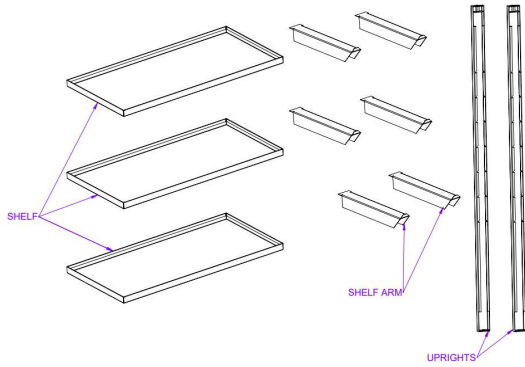
### PACKAGE DETAILS



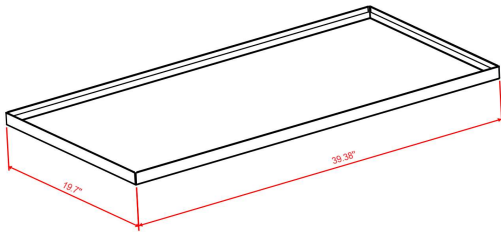
FLAT PACK DIMENSIONS	
LENGTH(in)	192.2
WIDTH(in)	84
HEIGHT(in)	9.8
WEIGHT(lbs)	1095
STACK SPECIFICATIONS	
TRANSPORTATION	40 FT HC
STACK QUANTITY	10
LENGTH(in)	192.2
WIDTH(in)	84
HEIGHT(in)	101.7
WEIGHT(lbs)	14704

AVAILABLE ACCESSORIES

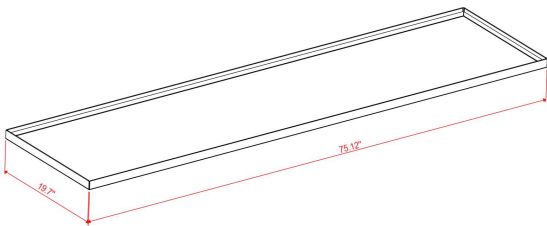
**SHELVING SYSTEM**



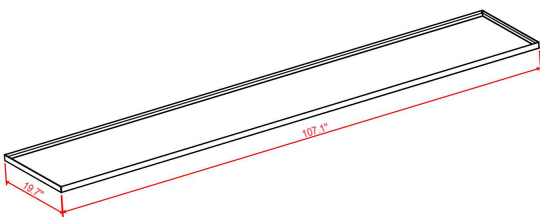
SHELVING KIT COMPONENTS	
SHELF(pcs)	3
SHELF ARM(pcs)	6
UPRIGHTS(pcs)	2



3' SHELF	
Lenght(in)	39.38
Width(in)	1.38
Height(in)	19.7

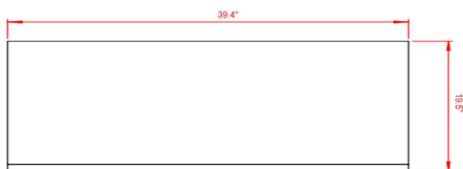
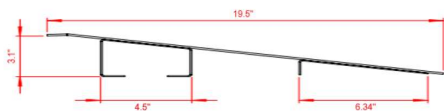


7' SHELF	
Lenght(in)	75.12
Width(in)	1.38
Height(in)	19.7



10' SHELF	
Lenght(in)	107.1
Width(in)	1.38
Height(in)	19.7

**RAMP**



RAMP SPECIFICATIONS	
Lenght(in)	39.4
Width(in)	19.5
Weight(lbs)	44.1
Angle	9°